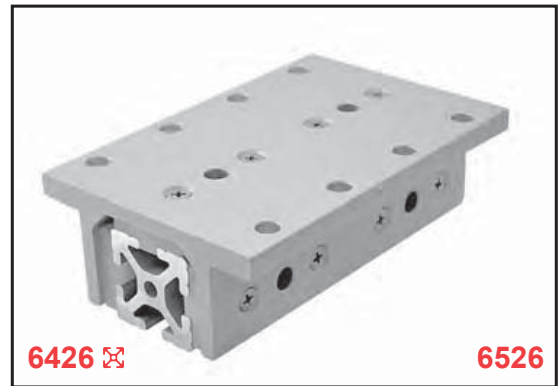
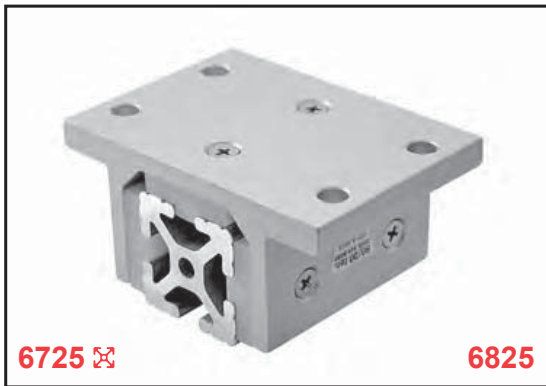
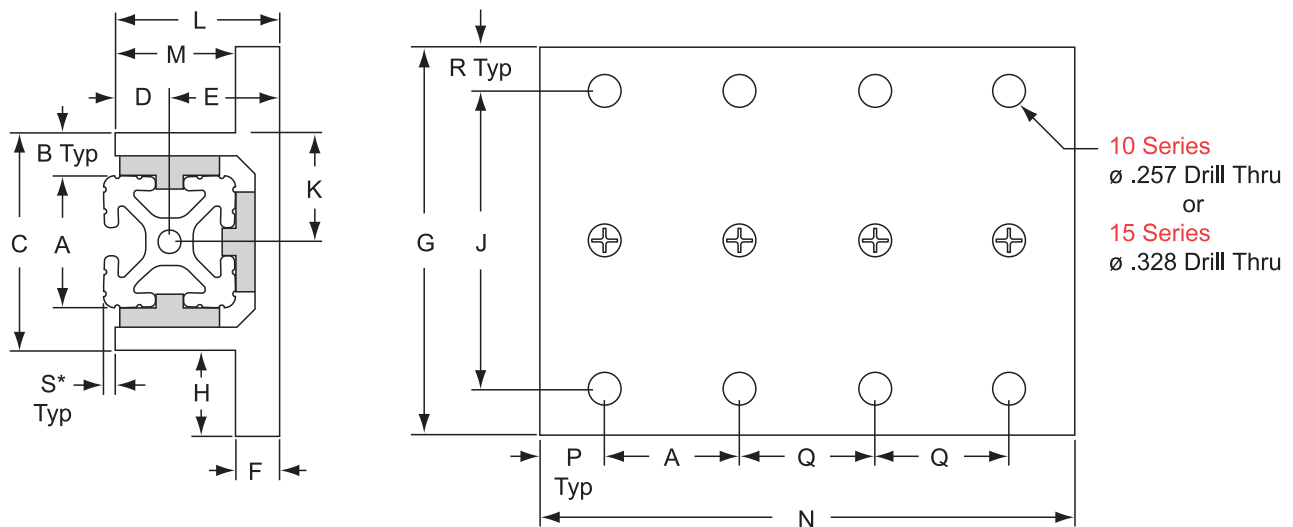


Double Flange Linear Bearings



☒ = 10 Series Compatible Part

- Bearings include bearing pads, screws and shims



10 Series
 ø .257 Drill Thru
 or
 15 Series
 ø .328 Drill Thru

Part No.	A	B	C	D	E	F	G	H	J	K	L	M	N	P	Q	R	S*	Lbs.
6725 ☒	1.000	.312	1.625	.406	.812	.312	2.937	.656	2.250	.812	1.218	.906	1.875	.438	—	.343	.094	.215
6425** ☒	1.000	.312	1.625	.406	.812	.312	2.937	.656	2.250	.812	1.218	.906	1.875	.438	—	.343	.094	.215
6726 ☒	1.000	.312	1.625	.406	.812	.312	2.937	.656	2.250	.812	1.218	.906	4.000	.500	1.000	.343	.094	.450
6426** ☒	1.000	.312	1.625	.406	.812	.312	2.937	.656	2.250	.812	1.218	.906	4.000	.500	1.000	.343	.094	.450
6825	1.500	.500	2.500	.640	1.235	.375	4.000	.750	3.250	1.250	1.875	1.500	2.812	.656	—	.375	.125	.665
6525**	1.500	.500	2.500	.640	1.235	.375	4.000	.750	3.250	1.250	1.875	1.500	2.812	.656	—	.375	.125	.665
6826	1.500	.500	2.500	.640	1.235	.375	4.000	.750	3.250	1.250	1.875	1.500	6.000	.750	1.500	.375	.125	1.415
6526**	1.500	.500	2.500	.640	1.235	.375	4.000	.750	3.250	1.250	1.875	1.500	6.000	.750	1.500	.375	.125	1.415

*10 Series: Add 1.00" when using 1020 profile or 2.00" when using 1030 profile.

*15 Series: Add 1.50" when using 1530 / 1530-Lite profile or 3.00" when using 1545 profile.

** Brake Kit Ready Bearings are pre-drilled with brake holes, refer to page 527 for additional information.