



Series 3827

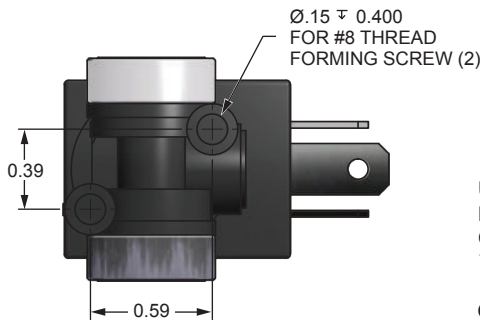
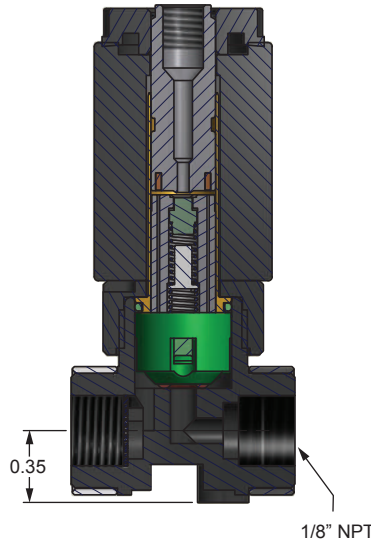
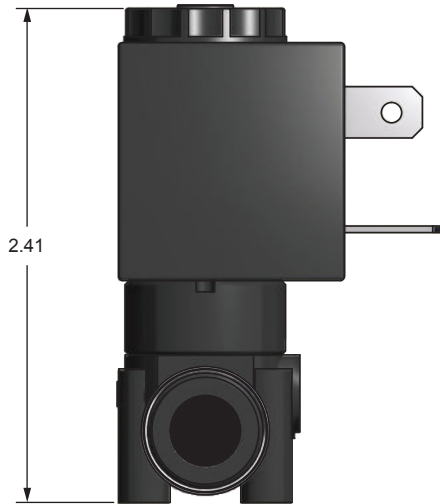
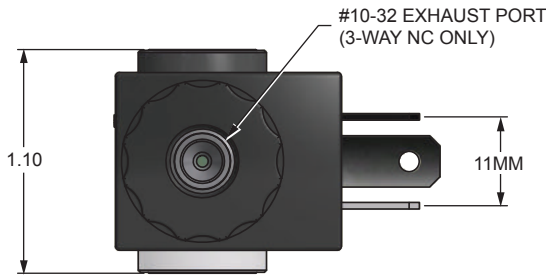
Direct Acting
Composite 2-Way & 3-Way

The Spartan Scientific Series 3827 is a composite body solenoid valve offered in both 2-Way & 3-Way, 2-Position Normally Closed or Normally Open functions and eight orifice sizes. Component features include the proven Series 3800 solenoid operator available in brass/stainless steel or all stainless steel pilot design, optional seal materials and nylon encapsulated coil. The "basket" orifice design feature allows the possibility of changing the orifice diameter to meet flow requirements within a matter of seconds. The composite material is media compatible, eliminating the need for stocking multiple body materials.

Dimensional Data

ALL DIMENSIONS ARE IN INCHES UNLESS OTHERWISE NOTED

NOTE: SHOWN WITHOUT MANUAL OVERRIDE OPTION



ORIFICE SIZE / VOLTAGE

FUNCTION	ORIFICE SIZE / VOLTAGE																
	0.6mm		0.8mm		1.0mm		1.2mm		1.5mm		2.0mm		2.4mm		*3.0mm		
	AC	DC	AC	DC	AC	DC	AC	DC	AC	DC	AC	DC	AC	DC	AC	DC	
2/2 NC	200	200	200	200	200	200	200	200	200	200	200	200	200	200	200	200	200
2/2 NO	N/A	N/A	N/A	N/A	N/A	N/A	N/A	N/A	150	150	N/A	N/A	N/A	N/A	N/A	N/A	N/A
3/2 NC	200	200	200	200	200	200	180	180	150	150	90	75	60	60	25	25	
3/2 NO	N/A	N/A	N/A	N/A	N/A	N/A	N/A	N/A	150	150	N/A	N/A	N/A	N/A	N/A	N/A	
3/2 MIX	N/A	N/A	N/A	N/A	N/A	N/A	N/A	N/A	100	90	N/A	N/A	N/A	N/A	N/A	N/A	
3/2 DIV	N/A	N/A	N/A	N/A	N/A	N/A	N/A	N/A	120	110	N/A	N/A	N/A	N/A	N/A	N/A	

MAX. PRESSURE RANGE (psi)

DIRECT ACTING



Series 3827

Direct Acting
Composite 2-Way & 3-Way

Technical Data

Function: 2-Way, 2-Position; Direct Acting;
Normally Closed or Normally Open
3-Way, 2-Position; Direct Acting;
Normally Closed or Normally Open
Diverting or Mixing

Port Size: 1/8" NPT

Orifice Sizes / Flow Factor:
0.6mm / 0.02 Cv
0.8mm / 0.03 Cv
1.0mm / 0.05 Cv
1.2mm / 0.06 Cv
1.5mm / 0.08 Cv
2.0mm / 0.17 Cv
2.4mm / 0.24 Cv
3.0mm / 0.31 Cv

Pressure Range: Vacuum to 200 psi (depending on orifice size and function)

Temp. Range: Fluid Max.: +60°C
Dry Range: Ambient +10° to +50°C

Response Time: 12 to 14ms Complete Cycle

Media: Air, caustics, light oils, water
(contact factory for compatibilities)

Environment IP65 (IEC 144), NEMA 4

Protection: Dust-tight and water resistant (with electrical connector)

Mounting: #8 x 0.150" self-tapping screw (2) not provided

Wetted Materials: Elastomers: EPDM, FKM, NBR
(others available on request)
Operator: 400 Series Stainless Steel and Brass
(others available on request)
Shading Ring: Copper (AC Only)
Springs: 300 Series Stainless Steel
Valve Body: Glass-Filled Nylon (FDA Approved)

Coil Data: Duty Cycle: Continuous (within specifications)
Encapsulation: Glass-Filled Nylon
Insulation: Class F
Power Rating: 6.5 Watt, 8.5VA
(others available on request)
Voltage: 6, 12, 24 VDC
24, 120, 220, 240 VAC 50/60 Hz
Voltage Tolerance: +/- 10% Nominal
Winding: Class H

Connections: Spades: Terminals AMP 6.3x0.8 width 11mm
(Available in DIN 43650 Form "A" / ISO 4400,
N175301-803:2006 for 3.0mm orifice or larger)
Flying Lead: PVC 22 AWG, Multi-Strand Copper Wire,
300V, 12" minimum length

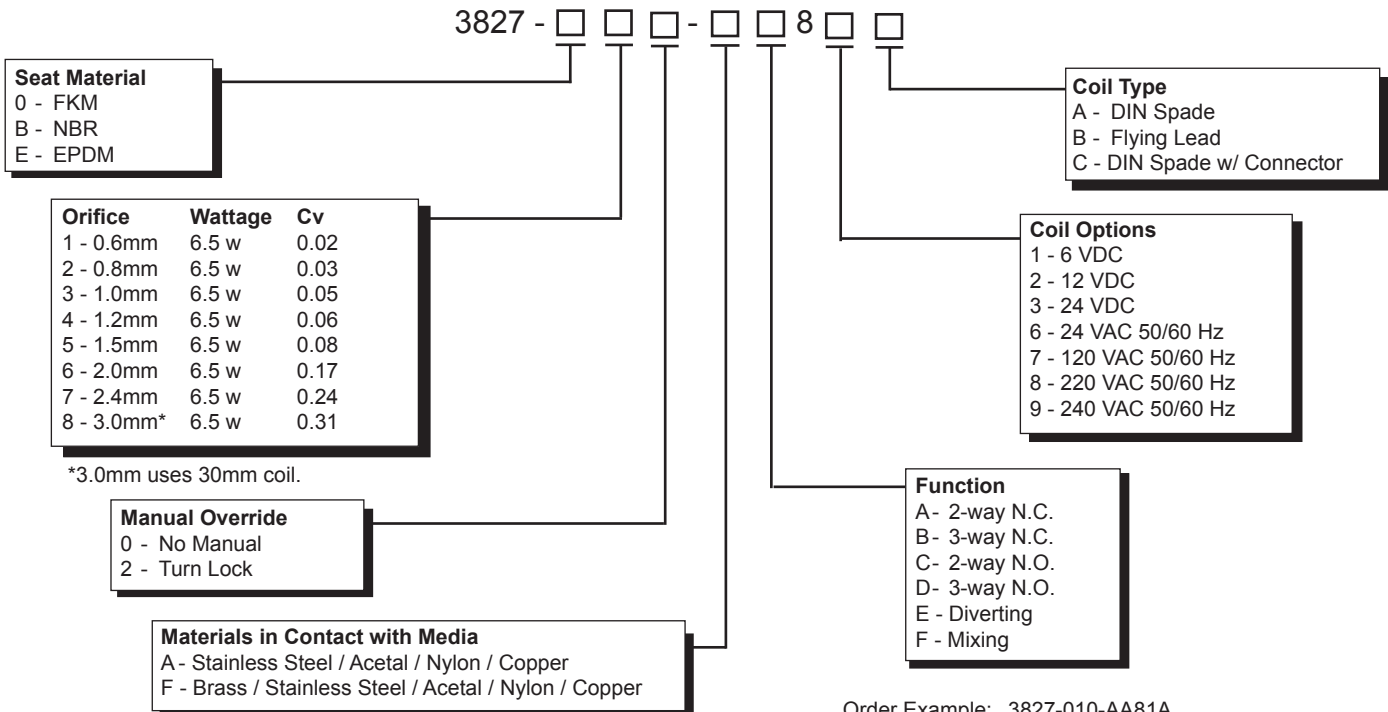
Packaged Weight: 22mm Coil: 0.22 lbs.
30mm Coil: 0.31 lbs.

DIRECT ACTING



Consult factory for available versions recognized under the Component Program of Underwriters Laboratories, Inc.

How To Order



Order Example: 3827-010-AA81A
FKM, 0.6mm orifice, No Manual Override,
Stainless Steel / Acetal / Nylon, Copper,
2-Way N.C., 6 VDC, DIN Spade.