



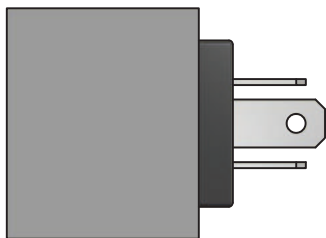
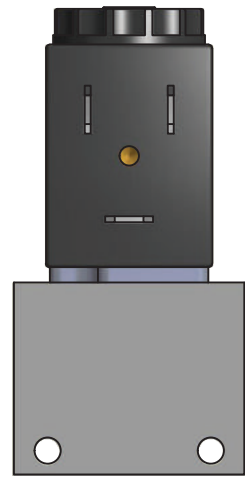
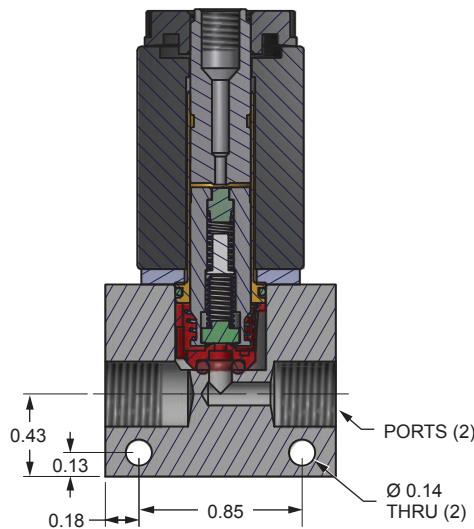
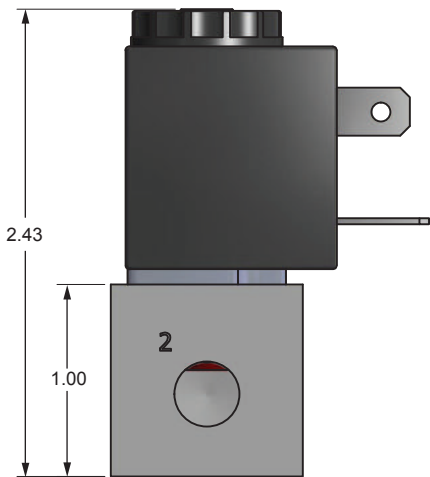
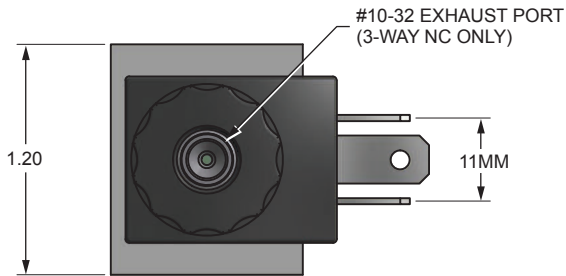
Series 3835

Direct Acting
2-Way & 3-Way

The Spartan Scientific Series 3835 is an aluminum body, 2-Way & 3-Way, 2-Position, direct pilot solenoid valve that features drop in replacement to many popular valve styles for mounting. The Series 3835 features the full complement of elastomers including EPDM, FKM, and NBR and is available in orifice sizes 0.6mm to 3.0mm in Normally Closed or Normally Open configurations. The coil is available in a Mini Spade or flying lead. They are fully encapsulated with an internal yoke and class H insulation.

Dimensional Data

ALL DIMENSIONS ARE IN INCHES UNLESS OTHERWISE NOTED



DIRECT
ACTING



Series 3835

Direct Acting
2-Way & 3-Way

Technical Data

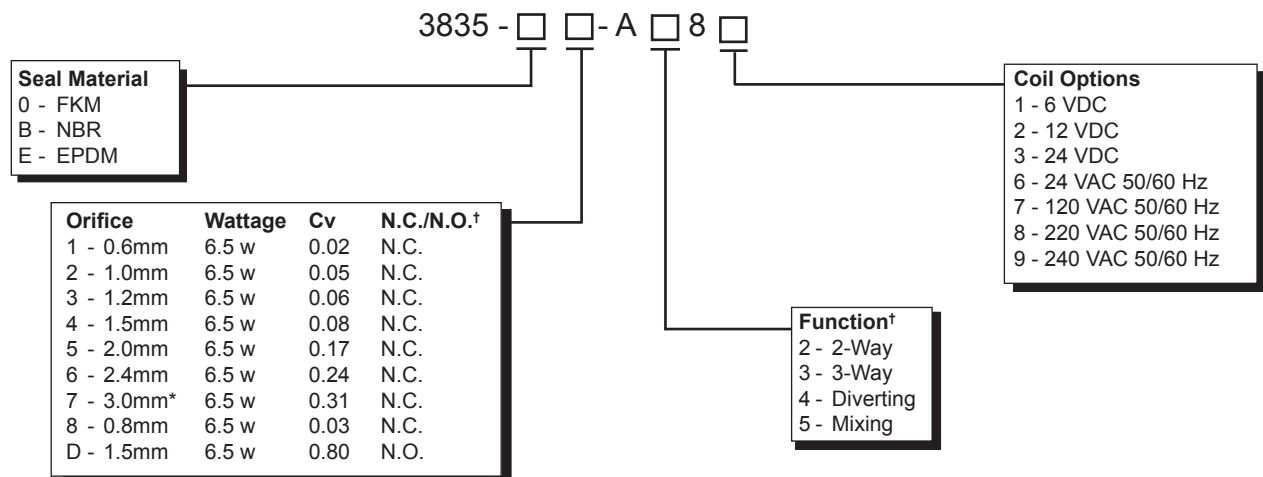
Function:	2-Way, 2-Position; Direct Acting; Normally Closed or Normally Open 3-Way, 2-Position; Direct Acting; Normally Closed or Normally Open	Mounting:	Ø0.136" Thru holes; (2)
Port Size:	1/8" NPT	Wetted Materials:	Elastomers: EPDM, FKM, NBR (others available on request) Operator: 400 Series Stainless Steel and Brass (others available on request) Shading Ring: Copper (AC Only) Springs: 300 Series Stainless Steel Valve Body: Anodized Aluminum
Orifice Sizes / Flow Factor:	0.6mm / 0.02 Cv 0.8mm / 0.03 Cv 1.0mm / 0.05 Cv 1.2mm / 0.06 Cv 1.5mm / 0.08 Cv 2.0mm / 0.17 Cv 2.4mm / 0.24 Cv 3.0mm / 0.31 Cv	Coil Data:	Duty Cycle: Continuous (within specifications) Encapsulation: Glass-Filled Nylon Insulation: Class F Power Rating: 6.5 Watt, 8.5VA (others available on request) Voltage: 6, 12, 24 VDC 24, 120, 220, 240 VAC 50/60 Hz Voltage Tolerance: +/- 10% Nominal Winding: Class H
Pressure Range:	Vacuum to 200 psi (depending on orifice size and function)	Connections:	Spades: Terminals AMP 6.3x0.8 width 11mm (Available in DIN 43650 Form "A" / ISO 4400, N175301-803:2006 for 3.0mm orifice or larger) Flying Lead: PVC 22 AWG, Multi-Strand Copper Wire, 300V, 12" minimum length
Temp. Range:	Fluid Max.: +90°C Dry Range: Ambient +10° to +50°C	Packaged Weight:	22mm Coil: 0.30 lbs. 30mm Coil: 0.50 lbs.
Response Time:	12 to 14ms Complete Cycle		
Media:	Air, caustics, inert gas, oil, water (contact factory for compatibilities)		
Environment	IP65 (IEC 144), NEMA 4		
Protection:	Dust-tight and water resistant (with electrical connector)		

ORIFICE SIZE / VOLTAGE

FUNCTION	0.6mm		0.8mm		1.0mm		1.2mm		1.5mm		2.0mm		2.4mm		*3.0mm	
	AC	DC	AC	DC	AC	DC	AC	DC	AC	DC	AC	DC	AC	DC	AC	DC
2/2 NC	200	200	200	200	200	200	200	200	200	200	200	200	200	200	75	60
2/2 NO	N/A	N/A	N/A	N/A	N/A	N/A	N/A	N/A	150	150	N/A	N/A	N/A	N/A	N/A	N/A
3/2 NC	200	200	200	200	200	200	180	180	150	150	90	75	60	60	25	25
3/2 NO	N/A	N/A	N/A	N/A	N/A	N/A	N/A	N/A	110	110	N/A	N/A	N/A	N/A	N/A	N/A
3/2 DIV	N/A	N/A	N/A	N/A	N/A	N/A	N/A	N/A	100	90	N/A	N/A	N/A	N/A	N/A	N/A
3/2 MIX	N/A	N/A	N/A	N/A	N/A	N/A	N/A	N/A	120	110	N/A	N/A	N/A	N/A	N/A	N/A

MAX. PRESSURE RANGE (psi)

How To Order



*3.0mm uses 3C 30mm coil.

† Not available in all configurations

Note: Media comes in contact with a copper shading ring.
Other versions available on request.

Order Example: 3835-01-A387
FKM, 0.6mm orifice, N.C.,
3-Way, 120 VAC 50/60 Hz