



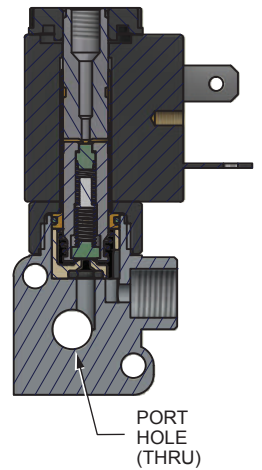
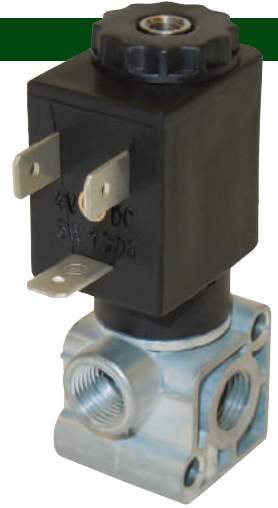
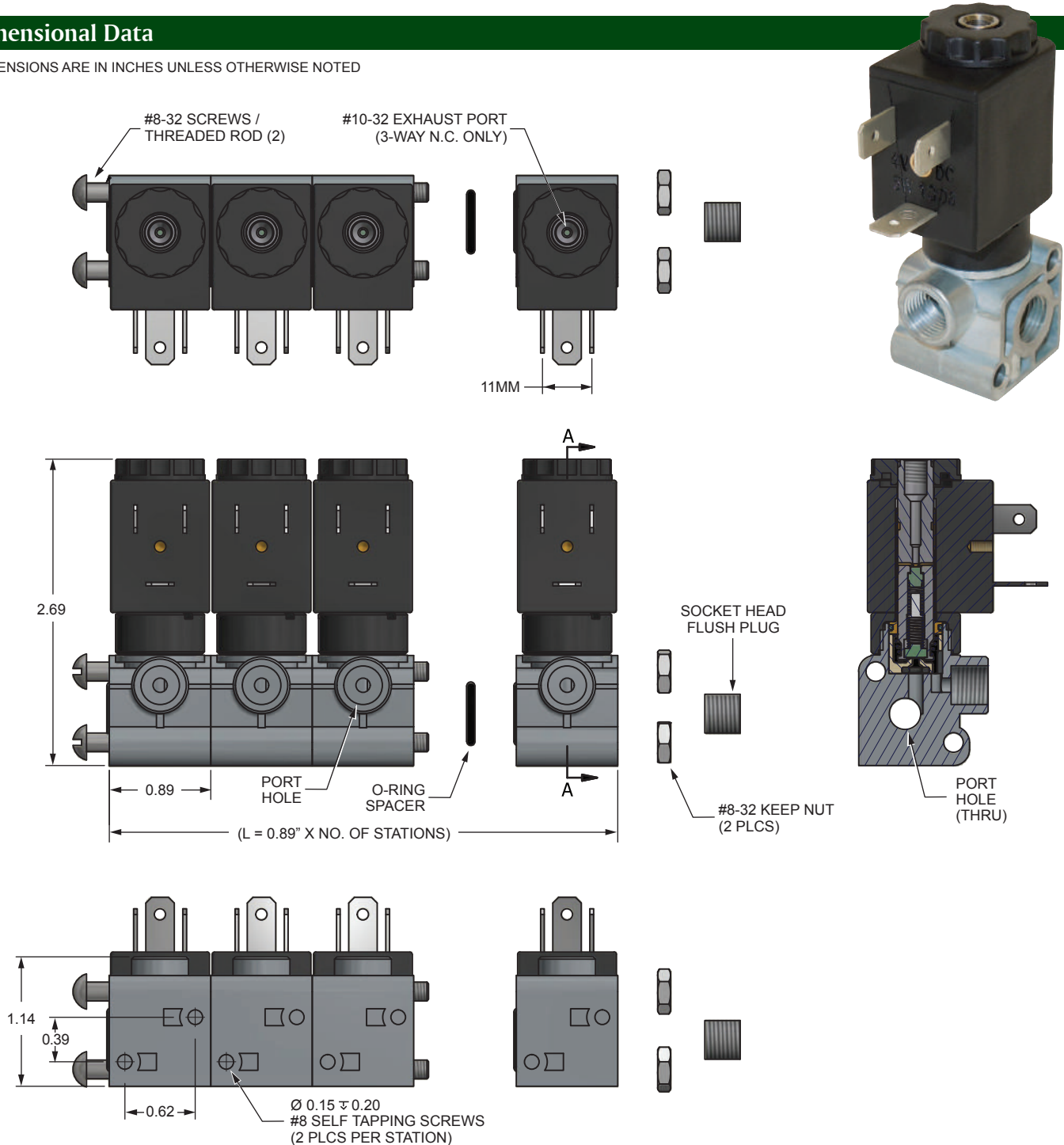
Series 3922

Direct Acting
Stackable

The Spartan Scientific Series 3922 is a 2-Way & 3-Way, 2-Position Normally Closed solenoid valve for control of air, caustics, inert gases, oil, and water. Constructed from highest grade materials, the Series 3922 features a completely glass filled nylon encapsulated coil, stainless steel plunger and stop, and spring compensated plunger seals for long trouble free service. Key to the 3922 is a stackable body giving the customer the ability to build manifolds as needed using one inlet and many outlets. The 3922 is available in orifice sizes from 0.6 (0.02 Cv) to 2.4mm (0.24 Cv). Seat materials are EPDM, FKM and NBR standard. Coils are class F 100% duty and incorporate the DIN 43650 industrial quick connect, DIN 43650 Female or flying leads. The valve body is made from robust zinc-aluminum die casting and comes standard with 1/8" NPT connections. The body is designed to incorporate our interchangeable "basket" style orifice simplifying valve assembly and re-fit. The Series 3922 is a long life, low cost solution to many automation applications.

Dimensional Data

ALL DIMENSIONS ARE IN INCHES UNLESS OTHERWISE NOTED





Series 3922

Direct Acting
Stackable

Technical Data

Function: 2-Way, 2-Position; Direct Acting; Normally Closed
3-Way, 2-Position; Direct Acting; Normally Closed

Port Size: 1/8" NPT

Orifice Sizes / Flow Factor:
0.6mm / 0.02 Cv
0.8mm / 0.03 Cv
1.0mm / 0.05 Cv
1.2mm / 0.06 Cv
1.5mm / 0.08 Cv
2.0mm / 0.17 Cv
2.4mm / 0.24 Cv

Pressure Range: Vacuum to 200 psi (depending on orifice size and function)

Temp. Range: Fluid Max.: +90°C
Dry Range: Ambient +10° to +50°C

Response Time: 12 to 14ms Complete Cycle

Media: Air, caustics, inert gases, oil, water
(contact factory for compatibilities)

Environment Protection: IP65 (IEC 144), NEMA 4
Dust-tight and water resistant (with electrical connector)

Mounting: #8-32 x 0.250" (2) not provided

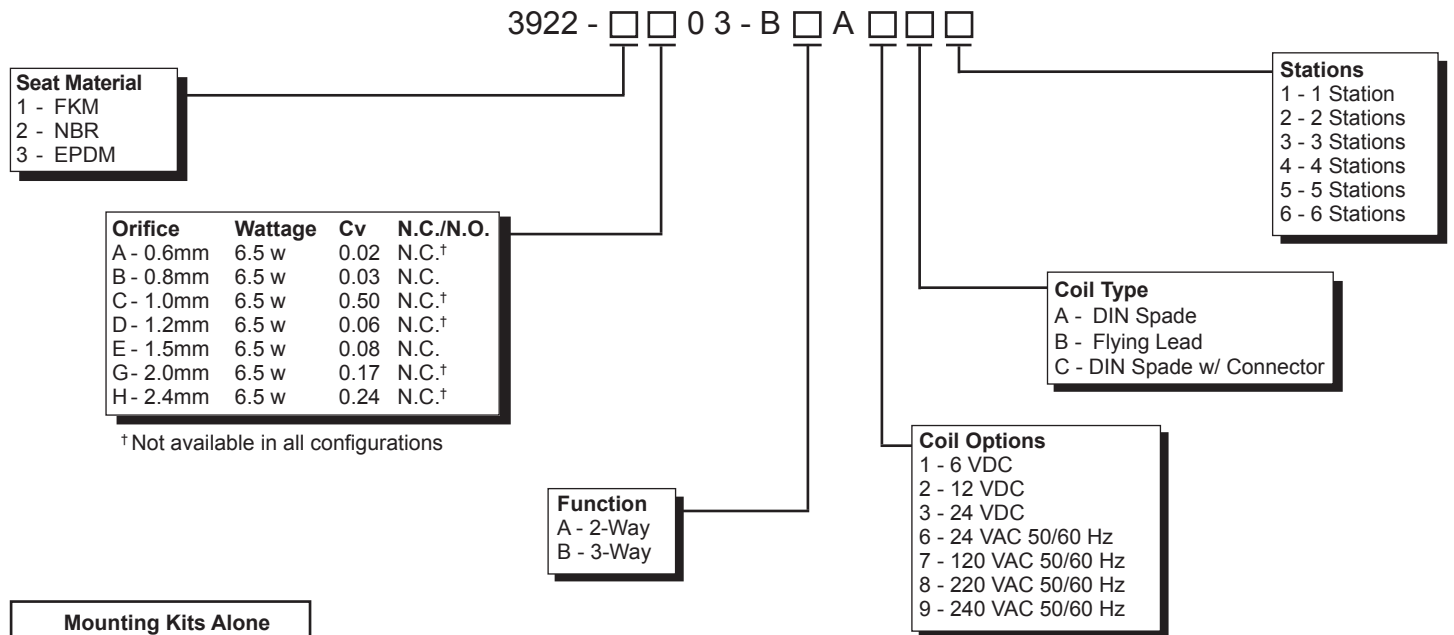
Wetted Materials: Elastomers: EPDM, FKM, NBR
(other materials available on request)
Operator: Brass
(other materials available on request)
Shading Ring: Copper (AC Only)
Springs: 300 Series Stainless Steel
Valve Body: Die Cast Aluminum

Coil Data: Duty Cycle: Continuous (within specifications)
Encapsulation: Glass-Filled Nylon
Insulation: Class F
Power Rating: 6.5 Watt VDC, 8.5VA
(others available on request)
Voltage: 6, 12, 24 VDC
24, 120, 220, 240 VAC 50/60 Hz
Voltage Tolerance: +/- 10% Nominal
Winding: Class H

Connections: Spades: Terminals AMP 6.3x0.8 width 11mm
(Available in DIN 43650 Form "A" / ISO 4400,
N175301-803:2006 for 3.0mm orifice or larger)
Flying Lead: PVC 22 AWG, Multi-Strand Copper Wire,
300V, 12" minimum length

Packaged Weight: 0.22 lbs.

How To Order



Mounting Kits Alone	
Description	Model Number
2 Station	3900-02-00
3 Station	3900-03-00
4 Station	3900-04-00
5 Station	3900-05-00
6 Station	3900-06-00

Mounting kit contains:
Two mounting screws,
two locking nuts and o-rings.

Order Example: 3922-0A03-AAA1A3
FKM, 0.6mm orifice, N.C., 2-Way,
6 VDC, DIN Spade, 3 Station.

DIRECT
ACTING