

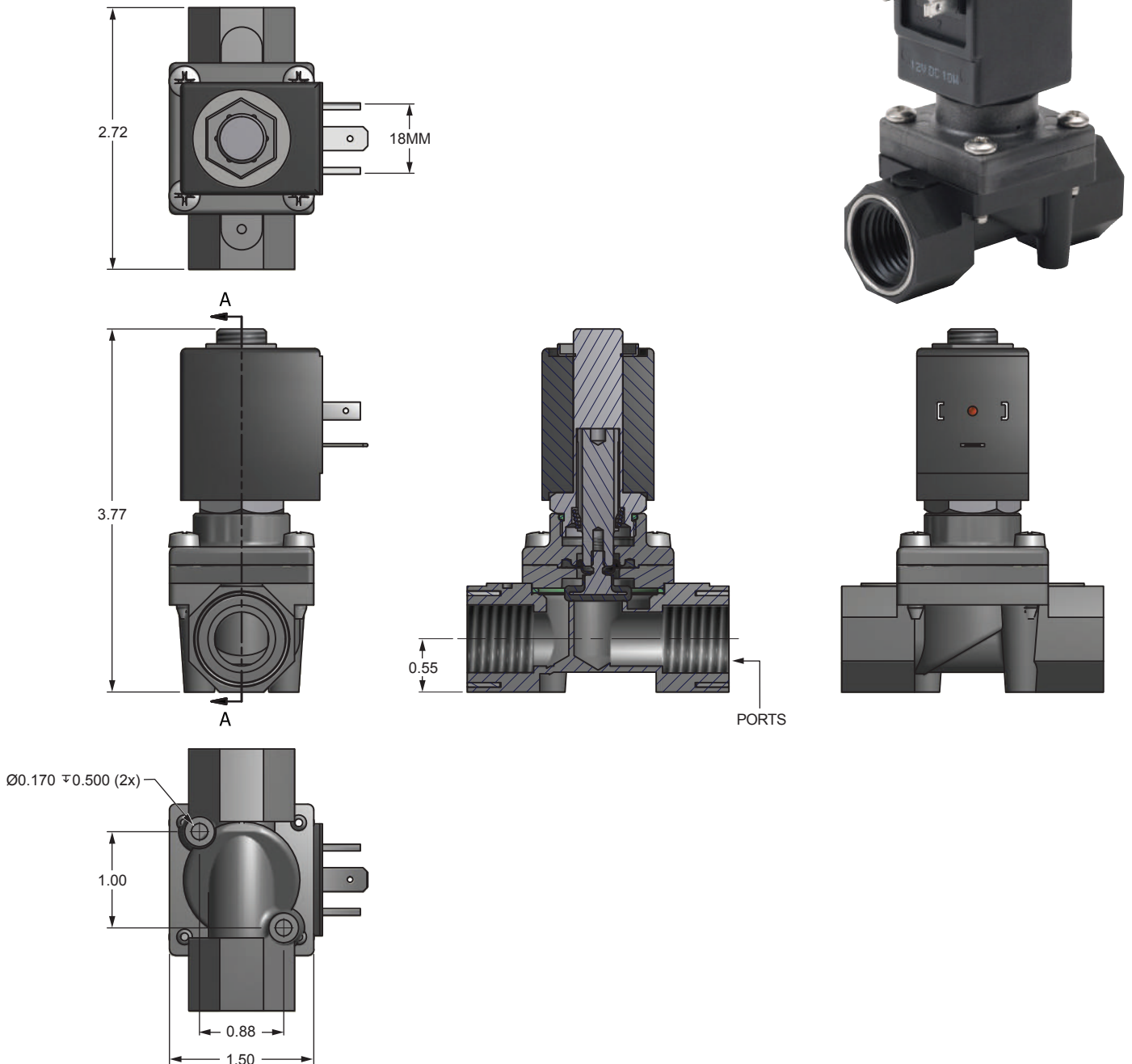


Series 4D85

Media Separated Process Composite Med-Sol 2-Way

The Spartan Scientific Series 4D85 is a direct operating 2-Way 2-Position media separated valve for control of aggressive media that can damage wetted solenoid valve components. The valve incorporates the innovative Spring Diaphragm which retains the media in the valve body effectively separating the metal operator components from the media for extremely long life cycles and media compatibility. The 4D85 is a stand alone body ported valve, available in 1/4", 3/8", and 1/2" NPT port connections and offers a full flow 12mm orifice. The 4D85 can control media compatible with Glass-Filled Nylon, PEI, and FKM, EPDM, and NBR elastomers. Available in all standard voltages, the 4D85 can control up to 20 PSI inlet pressure with no minimum operating pressure differential. The fully nylon encapsulated coils are available in DIN 43560 Form "A" and flying leads. The 4D85 valve body features robust design elements such as all stainless hardware and metal reinforced port rings which virtually eliminate valve body damage. The 4D85 is designed for a long trouble free life while still controlling compatible aggressive fluids.

Dimensional Data



MEDIA
SEPARATED



Series 4D85

Media Separated
Process Composite Med-Sol 2-Way

Technical Data

Function: 2-Way, 2-Position; Direct Acting, Media Separated; Normally Closed

Port Sizes: 1/4" NPT / 1.55 Cv
3/8" NPT / 1.95 Cv
1/2" NPT / 2.45 Cv

Orifice Sizes: 12.7mm

Pressure Range: Vacuum to 20 psi (depending on orifice size and function)

Temp. Range: Fluid max.: +60°C
Dry Range: Ambient +10° to +50°C (dry)

Response Time: 16 to 40 ms Complete Cycle

Media: Air, caustics, inert gas, oil, water (contact factory for compatibilities)

Environment Protection: IP65 (IEC 144), NEMA 4
Dust-tight and water resistant (with electrical connector)

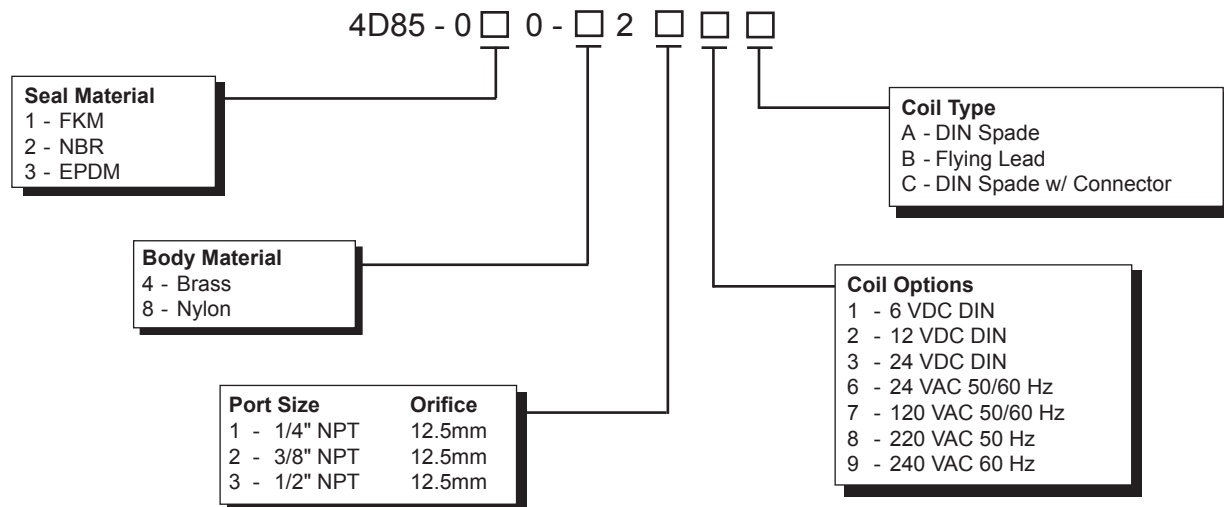
Wetted Materials: Elastomers: EPDM, FKM, NBR (others available on request)
Valve Body: Glass-Filled Nylon (NSF Approved); PEI

Coil Data: Duty Cycle: Continuous (within specifications)
Encapsulation: Glass-Filled Nylon
Insulation: Class F
Power Rating: 10 Watts VDC
11 VA VAC (others available on request)
Voltage: 6, 12, 24 VDC
24, 120, 220, 240VAC 50/60 Hz
Voltage tolerance: +/- 10% Nominal
Winding: Class H

Connections: DIN Spades: Accordance with DIN 43650 Form "A" / ISO 4400, EN175301-803;2000
Flying Lead: PVC, 18 AWG, Multi-Strand Copper Wire, 300V, 12" Length

Packaged Weight: 0.64 lbs.

How To Order



Order Example: 4D85-010-4211A
FKM seal, Brass, 1/4" NPT, 6VDC, DIN Spade

MEDIA SEPARATED