

KD SERIES

Diaphragm Compressor/Vacuum Pumps



Benefits

- Long Service Free Life
- Low Vibration & Sound Level
- Corrosion Resistance
- Cool Operating Temperature
- Restart Against Load

Features

- Oil-Less Operation
- Stainless Steel Valves
- Permanently Lubricated Ball Bearings
- Durable Diaphragm
- Balanced Eccentric/Connecting Rod Assembly
- Vibration Isolators
- Epoxy E-Coated Wetted Components
- Stainless Steel Valves, Retainers and Screws
- Die Cast Aluminum Components
- High Torque DC Motor



TruNorth Components, Inc.
"A Principle Driven Company"

TruNorth Components, Inc.

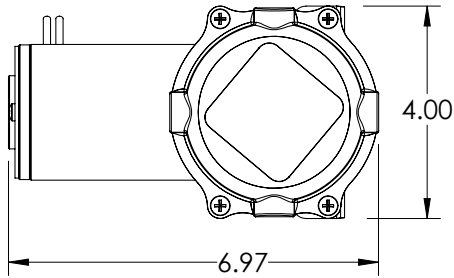
2100 Sunset Drive
Plymouth, WI 53073
Phone: (855)449-7867

www.trunorthcomponents.com

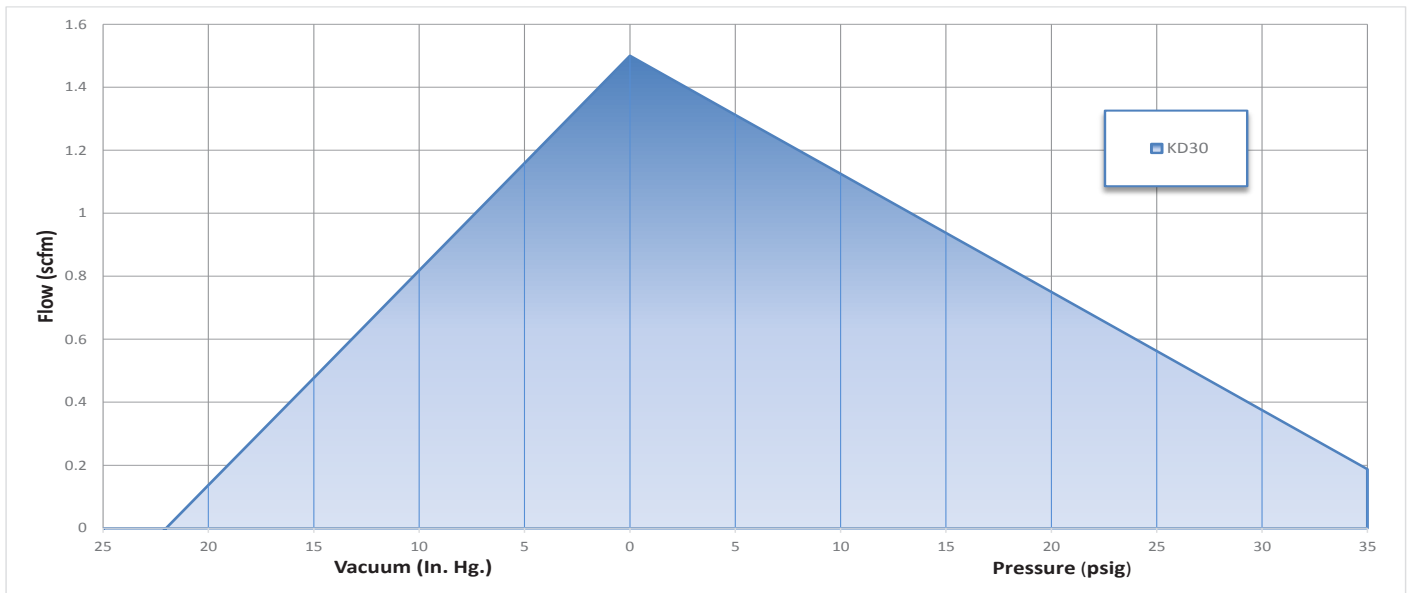
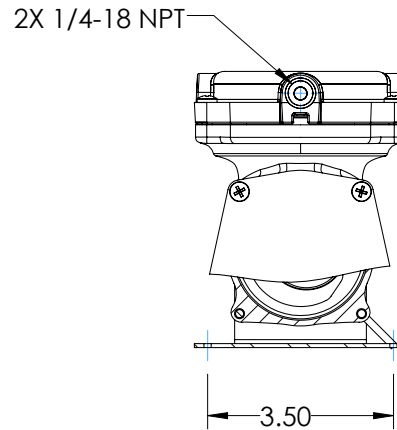
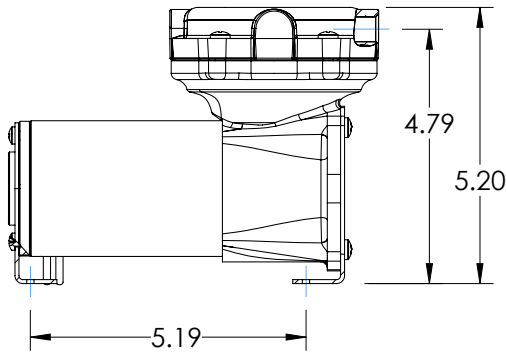


KD Series Performance Data

Model Number	KD30
Head Configuration	Pressure/Vacuum
Free Air Flow	1.50 SCFM
Max Intermittent Pressure	35 PSIG
Max Restart Pressure	Consult Factory
Max Vacuum	22" Hg
Max Restart Vacuum	Consult Factory
Max Ambient Air Temp	104° F
Min Ambient Start Temp	50° F
Motor Voltage	12V DC
Motor Type	Permanent Magnet
Current at Rated Load	10.5 Amps
Power at Rated Load	126 Watts
Starting Current (Locked Rotor)	65 Amps
Min Full Load Speed	3000 RPM
Thermal Protector	Optional
Weight	5 lbs
Duty Cycle	Consult Factory



Note: Duty Cycle, time on/time off to be determined based on each customer's application requirements.



The information presented in this material is based on technical data and test results of nominal units. It is believed to be accurate and reliable and is offered as an aid to help in the selection of TruNorth products. It is the responsibility of the user to determine if this product is suitable for the intended use. The user assumes all risk and liability whatsoever in connection therewith. TruNorth does not warrant, guarantee or assume any obligation in connection with this information.