

# Tongue Interlock Safety Switch Type: INCH-1

## FEATURES:

IDEM INCH-1 Compact Safety Interlock switches are designed to provide position interlock detection for small moving guards.

They are designed to fit to the leading edge of sliding, hinged or lift off machine guards.

The rugged Stainless Steel actuator profile is designed to match a cam mechanism to provide a positively operated not easily defeated interlock mechanism.

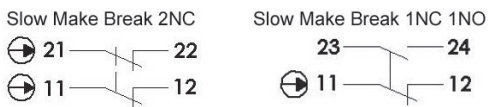
The compact body only 25mm wide with 18mm fixing centres and rotatable head make them easy to install where space is restricted.

The rotatable heads have dual actuator entry positions to give up to 8 different entry positions.

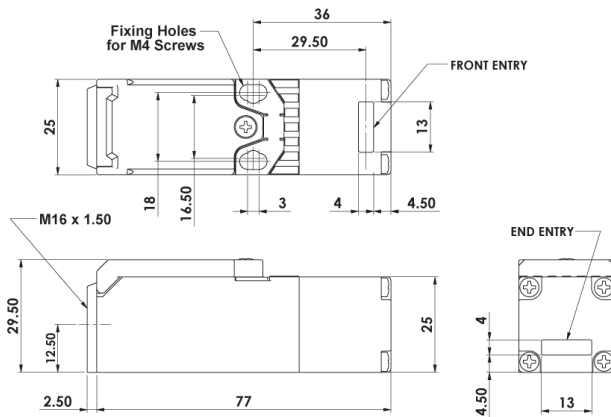
A Plastic Flexible Actuator is available for tight radius guards.

Contact blocks are replaceable 2NC or 1NC 1NO.

## CONTACT BLOCK OPTIONS:



## PRODUCT DIMENSIONS:



## CONTACT OPERATION:

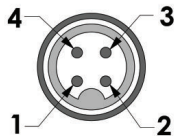
2NC:			1NC 1NO:		
11/12	21/22	0mm	11/12	23/24	0mm
Open			Open		
Open				Open	



### Stainless Steel Guide:

To assist with guard alignment IDEM recommend that you use the Stainless Steel Guide accessory (supplied with two stainless steel self-tapping screws).

SALES NUMBER - INCH 1 STAINLESS STEEL GUIDE 140179



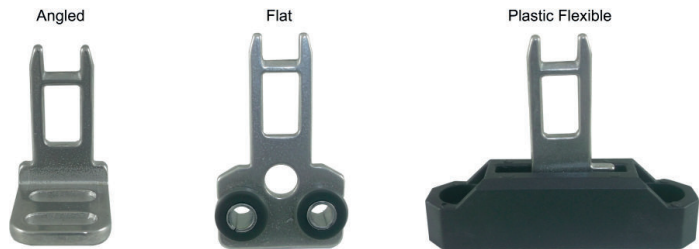
Switch Circuit	Quick Connect (QC) M12 4 Way Male (on Flying Lead 250mm) Pin View from Switch
11/12	1 3
21/22 or 23/24	4 2



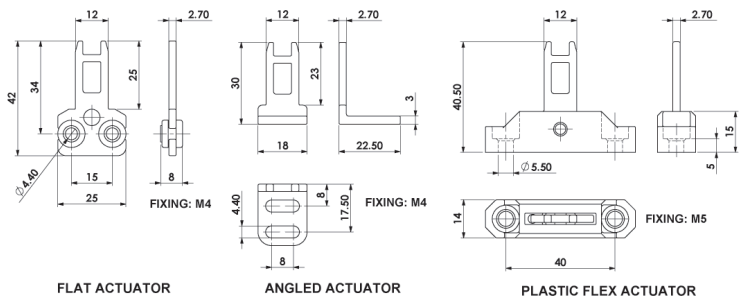
## STAINLESS STEEL HEAD



## INCH-1 ACTUATOR OPTIONS:



## ACTUATOR DIMENSIONS:



## Safety Classification and Reliability Data:

Mechanical Reliability B10d	2.5 x 10 <sup>6</sup> operations at 100mA load
ISO13849-1 EN62061	Up to PLe depending upon system architecture
Safety Data – Annual Usage	Up to SIL3 depending upon system architecture
PFHd	8 cycles per hour/24 hours per day/365 days
Proof Test Interval (Life)	3.44 x 10 <sup>8</sup>
MTTFd	35 years
Utilization Category	356 years
Thermal Current	AC15 A300 3A
Rated Insulation/Withstand Voltages	5A
Travel for Positive Opening	600Vac/2500Vac
Actuator Entry Minimum Radius	6mm
Maximum Approach/Withdrawal Speed	150mm Standard 100mm Flexible
Body Material	600mm/s
Head Material	UL approved glass fibre Polyester
Enclosure Protection	Stainless Steel 316
Vibration	IP67
Conduit Entry	IEC 68-2-6 10-55Hz + 1Hz
Fixing	Excursion 0.35mm 1 octave/min
	M16
	2 x M4

PRODUCT	CONTACTS	SALES NUMBER	
		M16	QC M12 4 WAY
INCH-1 Switch	2NC	222001	222002
INCH-1 Switch	1NC 1NO	222003	222004
Actuator	Flat	Add F to Sales Number	
Actuator	Angled	Add A to Sales Number	
Actuator	Plastic Flexible	Add PF to Sales Number	

Gold Plated Contacts available for low power circuits (5V 5mA). Add GC to Sales Number e.g. 222001-GC