

ABS & Stainless Steel Case, Liquid Filled



900 SERIES

- High quality liquid filled gauge
- Vacuum and compound ranges through 0 psi to 15,000 psi
- 1-1/2", 2", 2-1/2" and 4" gauge sizes
- Impact-resistant ABS and Stainless Steel case
- Copper alloy and Brass wetted parts

OPERATING SPECIFICATIONS

1. Working Pressure Limitations

a. Dynamic Pressure

The working pressure should be limited to 60% of the dial range.

b. Static Pressure

The working pressure, where no sharp fluctuations occur, should be limited to 90% of the dial range

APPLICATIONS

- Automotive
- Construction
- Hydraulics & pneumatics
- Power generation
- Transportation
- Water management

| | SERIES | SPECIFICATIONS |
|----------------------------|--|--|
| Pressure ranges | 900 Series (all) | Vacuum and compound ranges through 0 psi to 15,000 psi |
| Accuracy | 15-910 | ±2.5% full scale |
| | 25-900, 25-910, 25-901, 25-911 | ±1.6% full scale |
| | 40-901, 40-911 | ±1% full scale |
| Temperature ranges* | 900 Series (all) | Media -4 °F to 140 °F (-20 °C to 60 °C) Glycerin fill -40 °F to 140 °F (-40 °C to 60 °C) Special fill Ambient -4 °F to 140 °F (-20 °C to 60 °C) Glycerin fill -40 °F to 140 °F (-40 °C to 60 °C) Special fill |
| Measuring element | 900 Series (up to 600 psi) | Copper alloy C-Type Bourdon tube |
| | 900 Series (> 600 psi) | Coiled safety tube |
| Connection | 15-910 | 1/8" NPT, Brass |
| | 25-900, 25-910, 25-901, 25-911 | 1/4" NPT or 7/16"-20 adjustable, Brass |
| | 40-901, 40-911 | 1/4" NPT, Brass 1/2" NPT, Brass |
| Case | 15-910, 25-900, 25-910 | ABS with safety relief plug |
| | 25-901, 25-911, 40-901, 40-911 | 304 Stainless Steel |
| Bezel | 25-901, 25-911, 40-901, 40-911 | 304 Stainless Steel |
| Lens | 15-910, 25-900, 25-910 | Acrylic; ultrasonically welded to the case |
| | 25-901, 25-911 | Polycarbonate |
| | 40-901, 40-911 | Instrument glass |
| Pointer | 15-910, 25-900, 25-910, 25-901, 25-911 | Molded plastic |
| | 40-901, 40-911 | Balanced Aluminum, black finish |
| Dial | 15-910, 25-900, 25-910, 25-901, 25-911 | Molded plastic, white background with black primary scale & red secondary scale. UV resistant |
| | 40-901, 40-911 | Aluminum, white background with black primary scale & red secondary scale. UV resistant. |
| Movement | 15-910, 25-900, 25-910, 25-901, 25-911 | Brass and nylon with highly polished bearing surfaces |
| Fill liquid** | 15-910 | 86.5/13.5 Glycerin:H ₂ O |

* For every 18 °F (10 °C) shift in temperature from which the gauge is calibrated, the user can experience up to ±0.4% additional error.

**See page 51 for gauge fill options.

For details on accuracy/standard dial configuration and dial layouts, see pages 52-56.



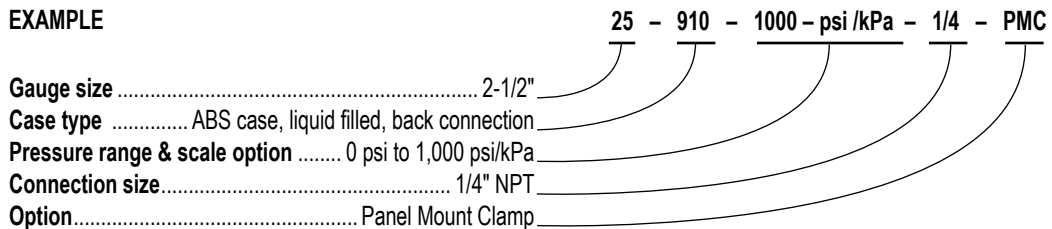
| ORDERING INFORMATION | | | | | | | | |
|----------------------|------------------|--|--|----------------------------|-------------------------------------|-------------------------|------|--------------------------------|
| GAUGE SIZES | 15 1-1/2" | 20 2" | 25 2-1/2" | 40 4" | | | | |
| CASE TYPES | 900 | ABS Case, bottom connection | 910 | ABS Case, back connection | | | | |
| | 901 | SS Case, bottom connection | 911 | SS Case, back connection | | | | |
| PRESSURE RANGES | 30vac | -30 inHg to 0 psi | 100 | 0 psi to 100 psi | 5000 | 0 psi to 5,000 psi | 10 | 0 bar to 10 bar |
| | 30/15 | -30 inHg to 0 to 15 psi | 160 | 0 psi to 160 psi | 6000 | 0 psi to 6,000 psi | 16 | 0 bar to 16 bar |
| | 30/30 | -30 inHg to 0 to 30 psi | 200 | 0 psi to 200 psi | 7500 | 0 psi to 7,500 psi | 25 | 0 bar to 25 bar |
| | 30/60 | -30 inHg to 0 to 60 psi | 300 | 0 psi to 300 psi | 10000 | 0 psi to 10,000 psi | 40 | 0 bar to 40 bar |
| | 30/100 | -30 inHg to 0 to 100 psi | 400 | 0 psi to 400 psi | 15000 | 0 psi to 15,000 psi | 60 | 0 bar to 60 bar |
| | 30/160 | -30 inHg to 0 to 160 psi | 600 | 0 psi to 600 psi | -1 | -1 bar to 0 bar | 100 | 0 bar to 100 bar |
| | 30/200 | -30 inHg to 0 to 200 psi | 800 | 0 psi to 800 psi | 1 | 0 bar to 1 bar | 160 | 0 bar to 160 bar |
| | 30/300 | -30 inHg to 0 to 300 psi | 1000 | 0 psi to 1,000 psi | 1.6 | 0 bar to 1.6 bar | 250 | 0 bar to 250 bar |
| | 15 | 0 psi to 15 psi | 1500 | 0 psi to 1,500 psi | 2.5 | 0 bar to 2.5 bar | 400 | 0 bar to 400 bar |
| | 30 | 0 psi to 30 psi | 2000 | 0 psi to 2,000 psi | 4 | 0 bar to 4 bar | 600 | 0 bar to 600 bar |
| | 60 | 0 psi to 60 psi | 3000 | 0 psi to 3,000 psi | 6 | 0 bar to 6 bar | 1000 | 0 bar to 1,000 bar |
| | SCALE OPTIONS | psi psi single scale psi/bar psi/bar dual scale | psi/kg/cm ² psi/kg/cm ² dual scale | bar/psi bar/psi dual scale | psi/kPa psi/kPa dual scale | | | |
| | CONNECTION SIZES | 1/8 1/8" NPT | 1/4 1/4" NPT | 1/2 1/2" NPT | SST SAE J1926-3:7/16-20 Adjustable* | | | |
| OPTIONS | PMC | Steel Panel Mount Clamp | AP | Adjustable Pointer | SSFF | 304SS Front Flange | BP3 | Brass Press Fit Orifice 0.3 mm |
| | SPMC | 304SS Panel Mount Clamp | MIP | Maximum Indicating Pointer | SSRF | 304SS Rear Flange | BT5 | Brass Threaded Orifice 0.5 mm |
| | SSBU | Stainless Steel Bezel & U-clamp | SP | Red Set Pointer | LM | Laser Marking | BT8 | Brass Threaded Orifice 0.8 mm |
| | SSB | Stainless Steel Bezel | SG | Safety Glass Lens | ST | Stainless Steel Tagging | | |
| | SSCR | 304SS Cover Ring | BLFF | Black Front Flange | | | | |
| | | | | | | | | |

Please consult your local NOSHOK Distributor or NOSHOK, Inc. for availability and delivery information.

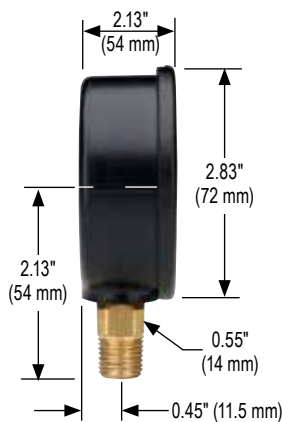
NOTE: Refer to 900 Series Options & Accessories chart on page 53 for availability by series number.

* Includes FKM o-ring

EXAMPLE



25-900



25-901

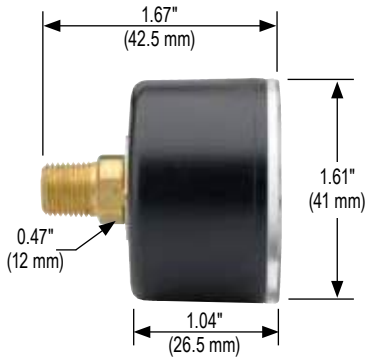


40-901

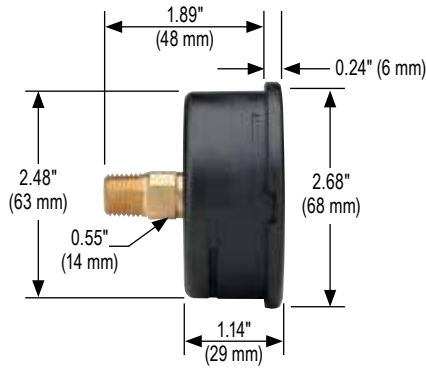


Dimensions

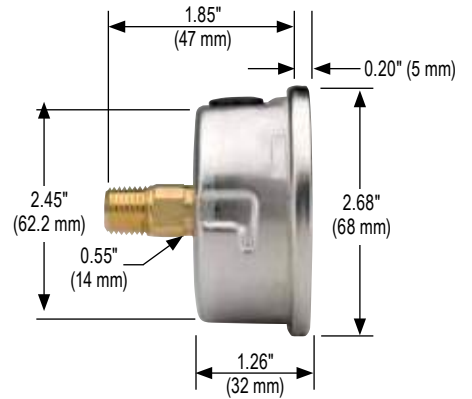
15-910



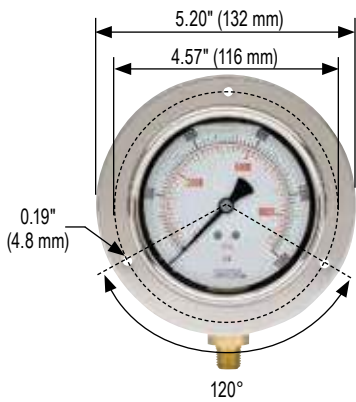
25-910



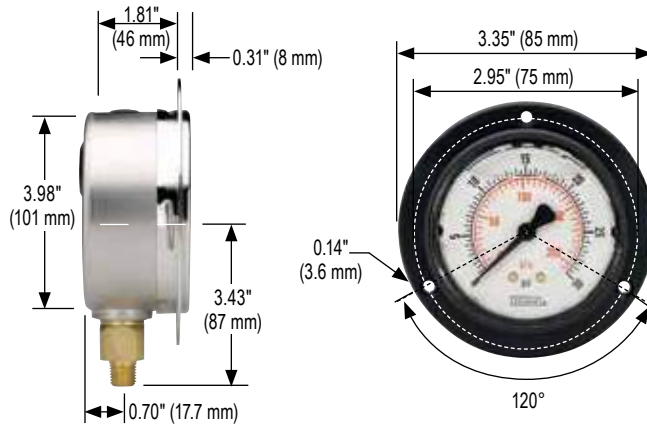
25-911



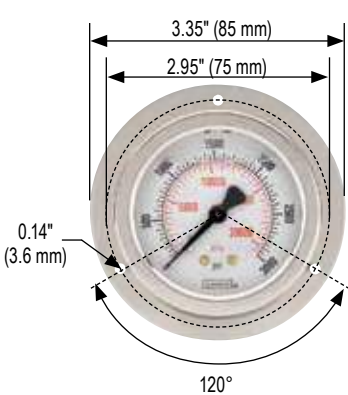
40-901 Front Flange



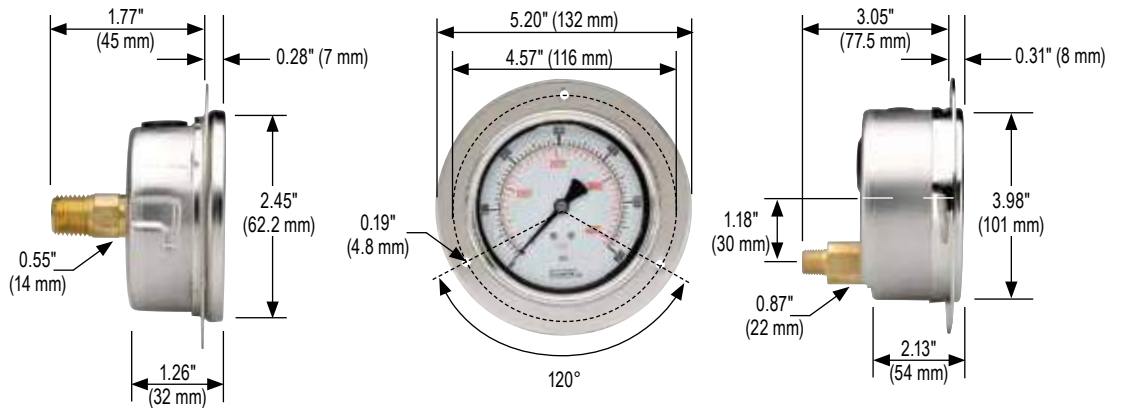
25-910 Front Flange



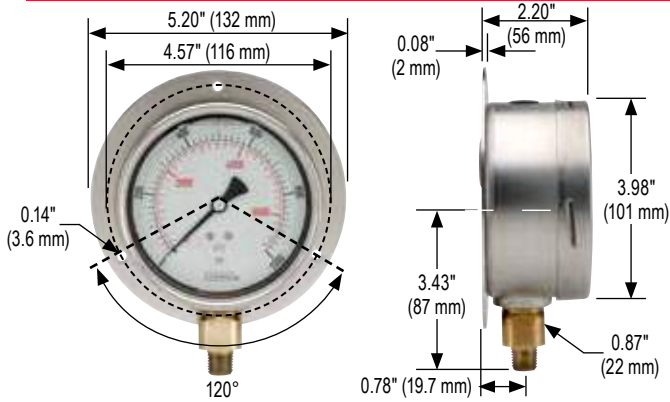
25-911 Front Flange



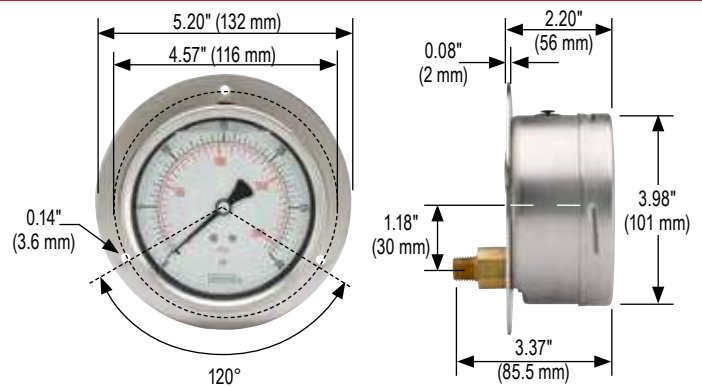
40-911 Front Flange



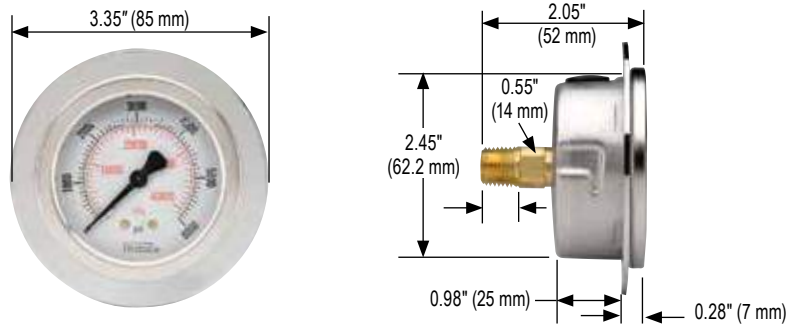
40-901 Rear Flange



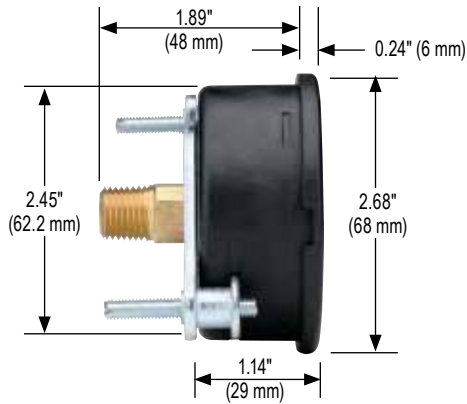
40-911 Rear Flange



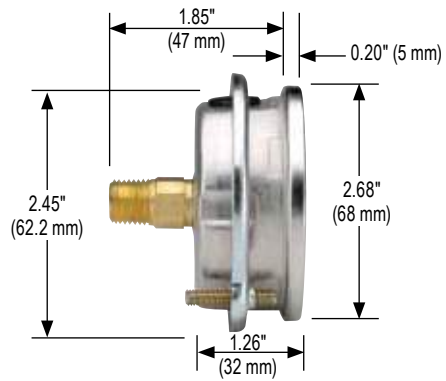
25-911 Flange Ring



25-910 Panel Mount Clamp



25-911 Panel Mount Clamp



40-911

