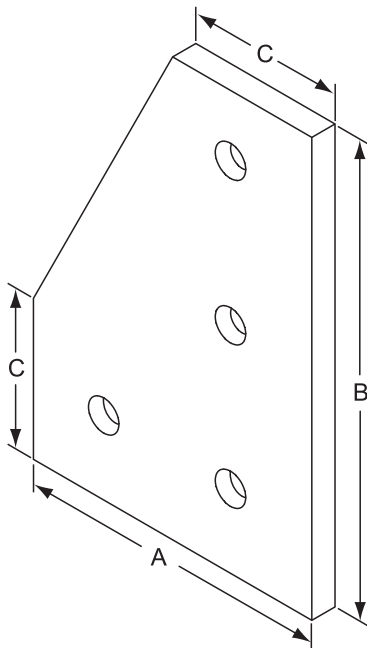


Fractional

4 Hole 90° Joining Plate



10 Series Recommended Mounting Hardware:

Part No.	Qty	Description
3321	4	1/4-20 x 1/2" FBHSCS & Econ T-Nut

For more 10 Series mounting hardware options, see Table G on page 266.

15 Series Recommended Mounting Hardware:

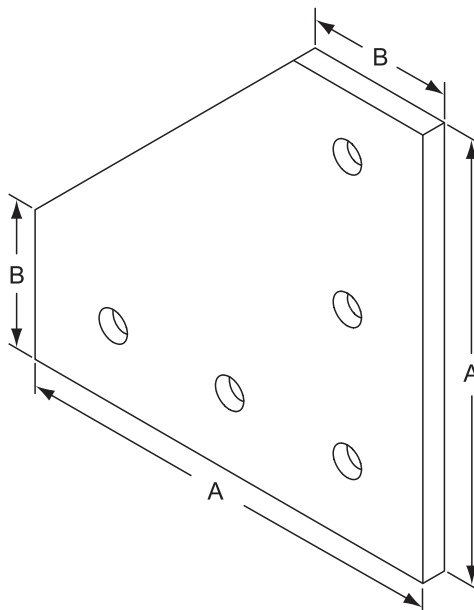
Part No.	Qty	Description
3320	4	5/16-18 x 1 1/16" FBHSCS & Econ T-Nut
OR		
3325	4	5/16-18 x 3/4" Econ. T-Slot Stud, Washer, Hex Nut

For more 15 Series mounting hardware options, see Table C on page 265.

= 10 Series Compatible Part

Part No.	A	B	C	Lbs.
4150	2.000	3.000	1.000	.090
4350	3.000	4.500	1.500	.260

5 Hole 90° Joining Plate



10 Series Recommended Mounting Hardware:

Part No.	Qty	Description
3321	5	1/4-20 x 1/2" FBHSCS & Econ T-Nut

For more 10 Series mounting hardware options, see Table G on page 266.

15 Series Recommended Mounting Hardware:

Part No.	Qty	Description
3320	5	5/16-18 x 1 1/16" FBHSCS & Econ T-Nut
OR		
3325	5	5/16-18 x 3/4" Econ. T-Slot Stud, Washer, Hex Nut

For more 15 Series mounting hardware options, see Table C on page 265.

= 10 Series Compatible Part

Part No.	A	B	Lbs.
4151	3.000	1.000	.125
4351	4.500	1.500	.370